



COMMERCIAL VEHICLE AUCTIONS LTD
THE UK'S MOST ESTABLISHED COMMERCIAL VEHICLE AUCTIONEERS

Carr Hill Industrial Estate
Doncaster
DN4 8DE

01302 732600 | cva.noreply@cva-auctions.co.uk

VEHICLE INSPECTION REPORT

BF68VHJ

Fiat Ducato 35 2.3 MULTIHET 150PS

Inspection		Vehicle	
Serious Damage?	No	VAT	Plus VAT
		V5	Buyer To Apply

Details

Reg. date	08/10/2018	Colour	WHITE	CAP Average	£4,025.00
Year	2018	VIN	ZFA25000002F51036	CAP Below	£3,075.00
Mileage	99,960 Miles Not Showing	Body Style	Crew Van L1	Gearbox	MANUAL
Fuel Type	Diesel	MOT Due	18/07/2026	Gears	6
GVW	3500kg	CAP Clean	£4,750.00	Axle Combi	4x2

SINGLE LOAD DOOR, E/MIRRORS

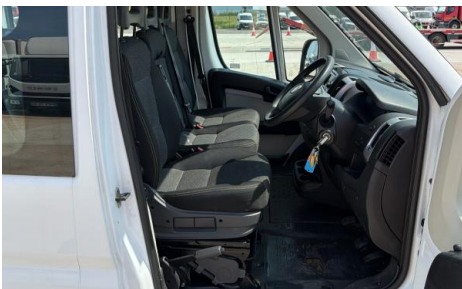
Tyres

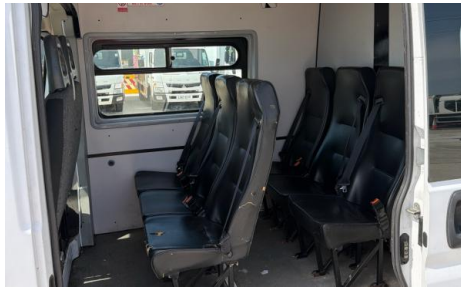
NSF
NSR
OSF
OSR
Spare

Features

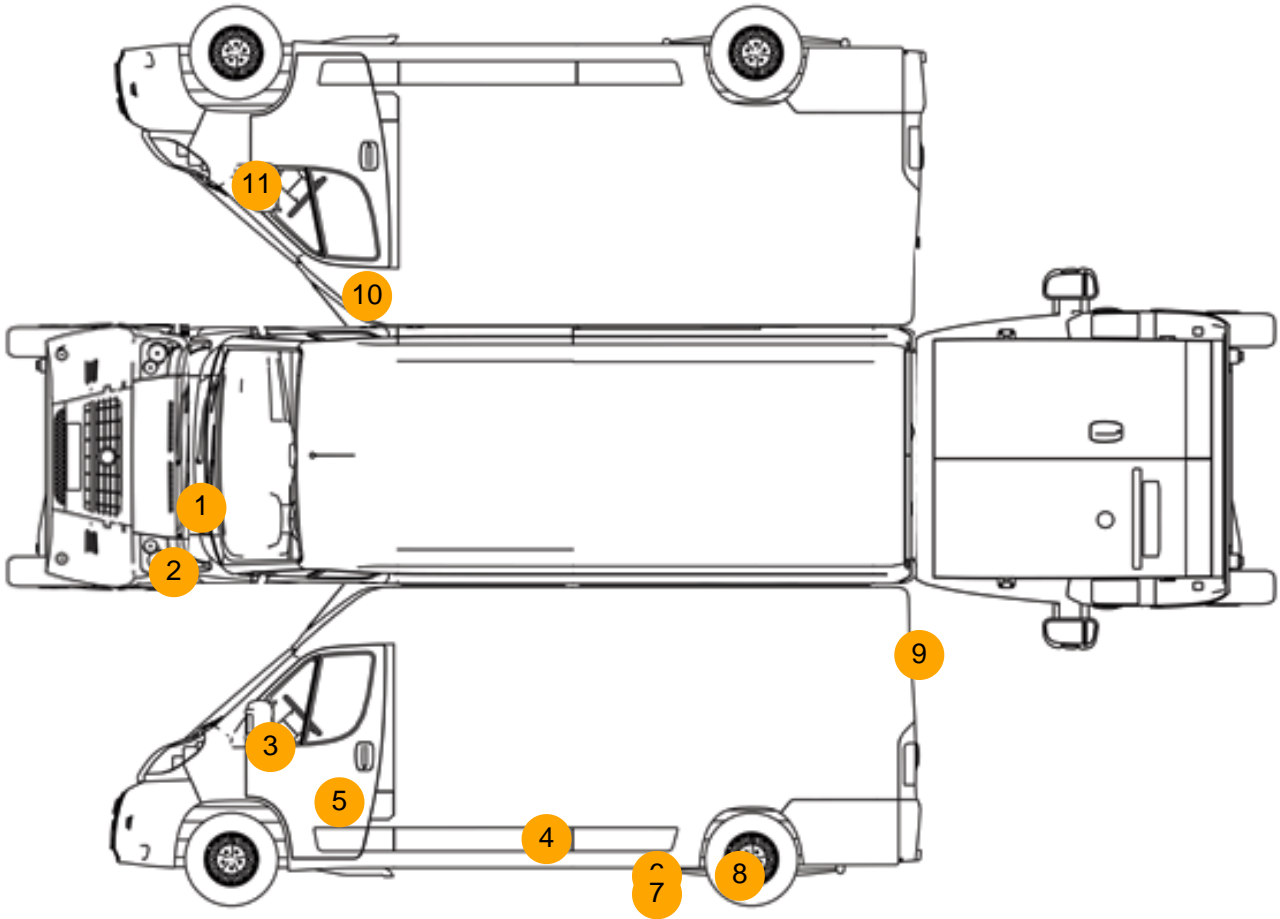
- Navigation system
- Drivers airbag
- Mobile phone App interface
- Passenger airbag
- Radio/CD
- Central locking
- Front electric windows
- Cloth seat trim

Photos





Condition Check



Damage Photos



1: Bonnet
Chipped
1 To 5

2: Bonnet
Chipped
1 To 5



3: A Post ns
Chipped
1 To 5

4: Qtr Panel nsr
Chipped
Edge Chip



5: Door nsf
Scratched
Up To 25mm Not Thru Paint

6: Qtr Panel Moulding ns
Scuffed (Unpainted)
Over 100mm



7: Sill ns
Dented
With Paint Damage

8: Qtr Panel nsr
Dented
With Paint Damage



9: D Post ns
Dented
With Paint Damage



10: Door osf
Scratched
UpTo 25mm Not Thru Paint

11: D Post ns
Missing
Replace

Interior

Carpet Condition	-	Upholstery Condition	Average
Seat Condition	Average	Odour	No
Engine Runs	OK	Gearbox 1st and Reverse Test	OK
Brakes	OK	Gearbox Static Gear Selection (engine running)	OK
Parking Brake	OK	No Excessive Smoking	OK
Airbag light illuminated	OK	DPF light illuminated	OK
ABS light illuminated	OK		