



COMMERCIAL VEHICLE AUCTIONS LTD
THE UK'S MOST ESTABLISHED COMMERCIAL VEHICLE AUCTIONEERS

Carr Hill Industrial Estate
Doncaster
DN4 8DE

01302 732600 | cva.noreply@cva-auctions.co.uk

VEHICLE INSPECTION REPORT

SV73KWH

Mercedes-Benz Sprinter 315 2.0 CDI PROGRESSIVE

Inspection		Vehicle	
Serious Damage?	No	VAT	Plus VAT
		V5	Buyer To Apply

Details

Reg. date	12/10/2023	Body Style	Fridge Van MWB	Gears	6
Year	2023	MOT Due	11/10/2026	Axle Combi	4x2
Mileage	74,236 Miles Not Warranted	CAP Clean	£18,150.00	Rear Suspension	Steel
Fuel Type	Diesel	CAP Average	£16,800.00	Rear Doors	Tail Lift
Colour	WHITE	CAP Below	£14,450.00		
VIN	W1V3HBFZ1PP540670	Gearbox	MANUAL		

WARNING LIGHTS ON DASH THERMOKING V200 MAX FRIDGE UNIT, SINGLE SIDE LOAD DOOR

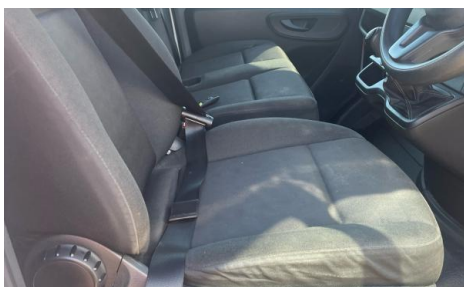
Tyres

NSF
NSR
OSF
OSR
Spare

Features

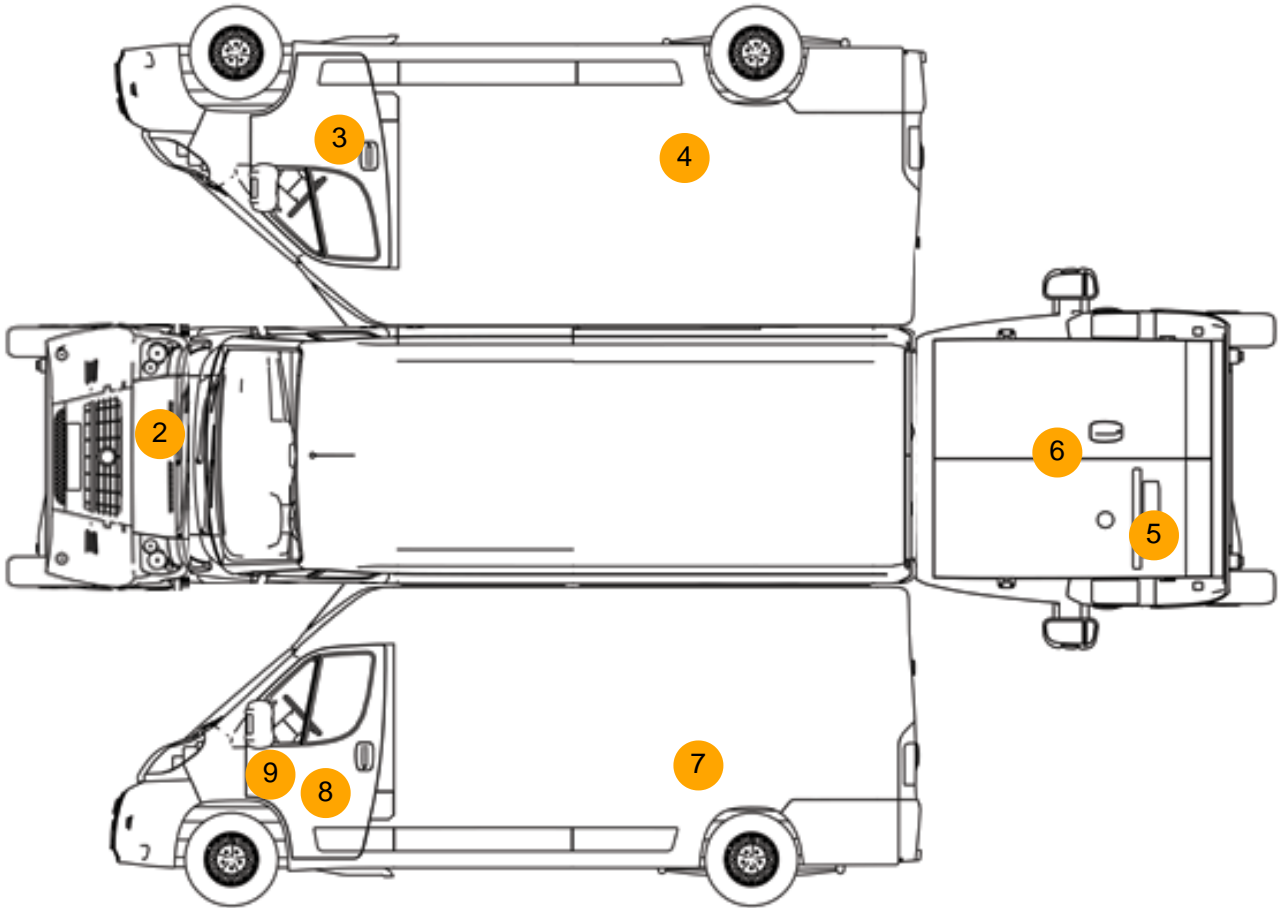
- Bluetooth connection
- Central locking
- Rear parking sensor
- Cloth seat trim
- Front electric windows
- Drivers airbag

Photos





Condition Check



Damage Photos



1: Seat Base Cover of
Missing
Replace

2: Bonnet
Dented
With Paint Damage



3: Door osf
Dented
Over 30mm

4: Qtr Panel osr
Dented
With Paint Damage



5: Tailgate
Dented
With Paint Damage

6: Badgedecal Rear
Missing
Replace



7: Qtr Panel nsr
Dented
With Paint Damage

8: Door nsf
Dented
With Paint Damage



9: Door Mirror Assy nsf
 Missing
 Replace

Interior

Carpet Condition	Average	Upholstery Condition	Average
Seat Condition	Average	Odour	No
Engine Runs	OK	Gearbox 1st and Reverse Test	OK
Brakes	OK	Clutch Slip Test from Static	OK
Turbo Boosting	OK	Gearbox Static Gear Selection (engine running)	OK
Parking Brake	OK	No Excessive Smoking	OK
EML light illuminated	Fault	Oil warning light illuminated	OK
Airbag light illuminated	OK	DPF light illuminated	OK
ABS light illuminated	OK	Service indicator light illuminated	OK
Windows	OK	Radio	OK
		Steering	OK